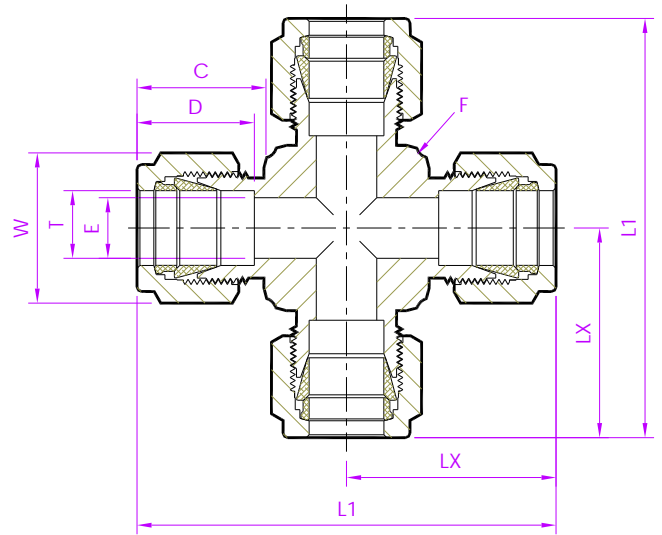


**- Tube Fitting (Double Ferrule)-
Tube To Tube**



Union Cross

Metric Tube x Metric Tube

TubeFit Part No.	Equivalent Part No. Type 1	Equivalent Part No. Type 2	TUBE OD Ø T	ØE	D	C	L1	LX	Body Hex F	Nut Hex W
Dimensions in Millimetres										
3M - UCD	- 3MO - 4	ECRM3	3	2.4	12.9	15.3	44.7	22.3	11.1	12
4M - UCD	- 4MO - 4	ECRM4	4	2.4	13.7	16.1	50.8	25.4	11.1	12
6M - UCD	- 6MO - 4	ECRM6	6	4.8	15.3	17.7	53.9	27.0	14.2	14
8M - UCD	- 8MO - 4	ECRM8	8	6.4	16.2	18.6	59.7	29.9	16	16
10M - UCD	- 10MO - 4	ECRM10	10	7.9	17.2	19.5	67.0	33.5	19	19
12M - UCD	- 12MO - 4	ECRM12	12	9.5	22.8	22.0	72.0	36.0	22.2	22
16M - UCD	- 16MO - 4	ECRM16	16	12.7	24.4	22.0	74.0	37.0	25.4	25
18M - UCD	- 18MO - 4	ECRM18	18	15.1	24.4	22.0	76.6	38.3	27	30
20M - UCD	- 20MO - 4	-----	20	15.9	26.0	22.0	89.3	44.6	30	32
25M - UCD	- 25MO - 4	-----	25	21.8	31.3	26.5	98.3	49.1	35	38

NOTE : 1)The E Dimension is the minimum opening. 2)Dimension L1, C, D is shown in the finger-tight position.
3)Dimensions are for reference only and are subject to change.

- ALL PART NUMBERS ARE PROPRIETARY OF THEIR RESPECTIVE OWNERS. -